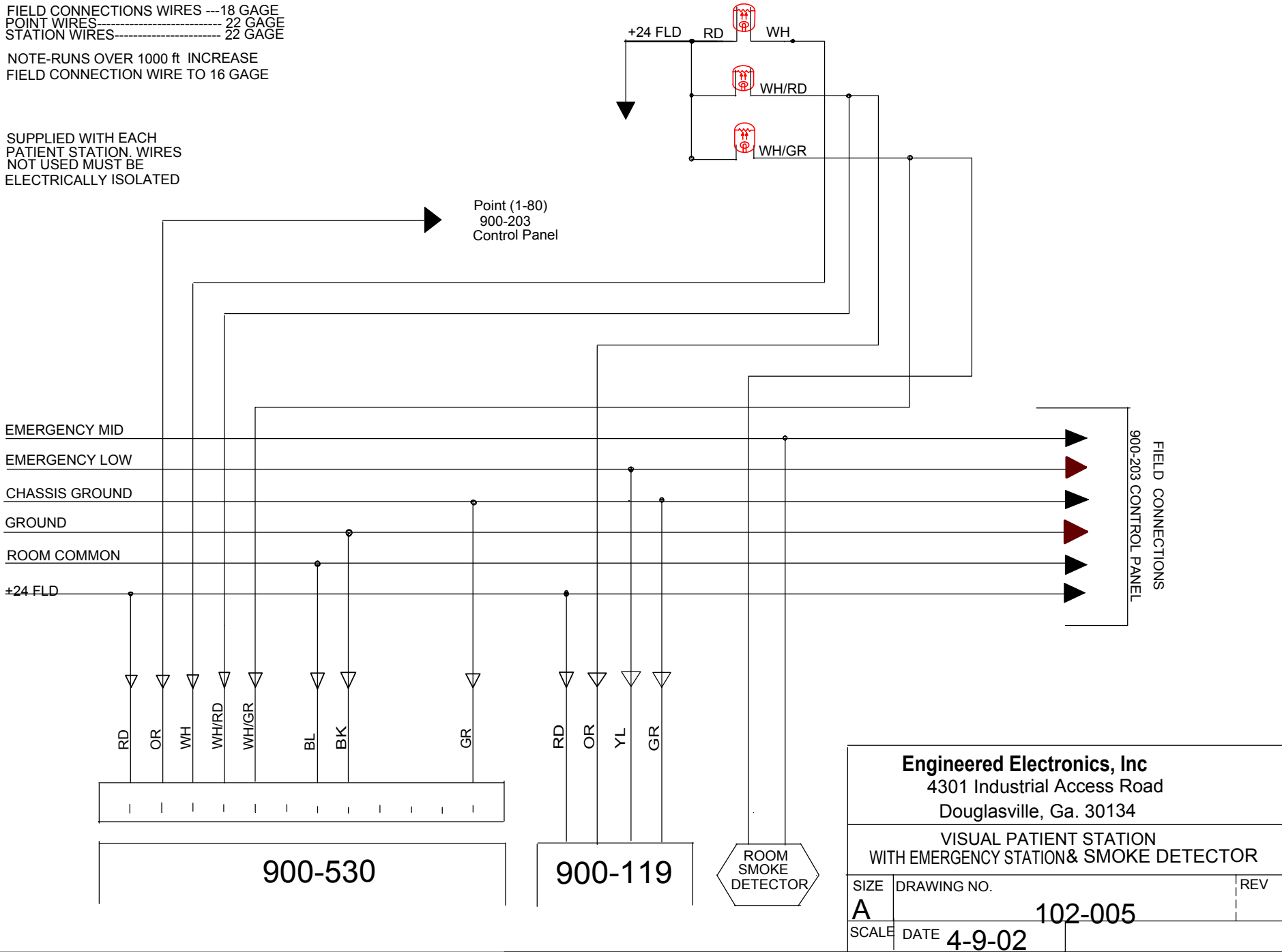


FIELD CONNECTIONS WIRES ---18 GAGE
 POINT WIRES----- 22 GAGE
 STATION WIRES----- 22 GAGE

NOTE-RUNS OVER 1000 ft INCREASE
 FIELD CONNECTION WIRE TO 16 GAGE

SUPPLIED WITH EACH
 PATIENT STATION. WIRES
 NOT USED MUST BE
 ELECTRICALLY ISOLATED



Engineered Electronics, Inc
 4301 Industrial Access Road
 Douglasville, Ga. 30134

VISUAL PATIENT STATION
 WITH EMERGENCY STATION & SMOKE DETECTOR

| | | |
|----------|----------------|-----|
| SIZE | DRAWING NO. | REV |
| A | 102-005 | |
| SCALE | DATE | |
| | 4-9-02 | |